

UDM230/UDMS230

RF/Power Distribution Modules



Includes:
Wideband Version 537 - 768 MHz
Wideband Low Version 470 - 692 MHz

Fill in for your records:

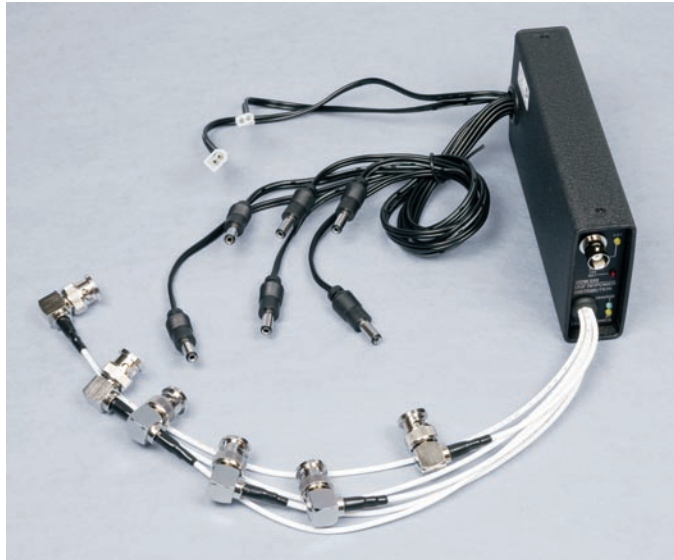
Serial Number:

Purchase Date:

Overview

These modules were designed to be used in the SIXPACK receiver multicoupler, and can also be used as “stand alone” devices in portable bag systems and customized production carts. High quality RF signal distribution and power distribution for up to six compact receivers are combined in rugged, compact housings.

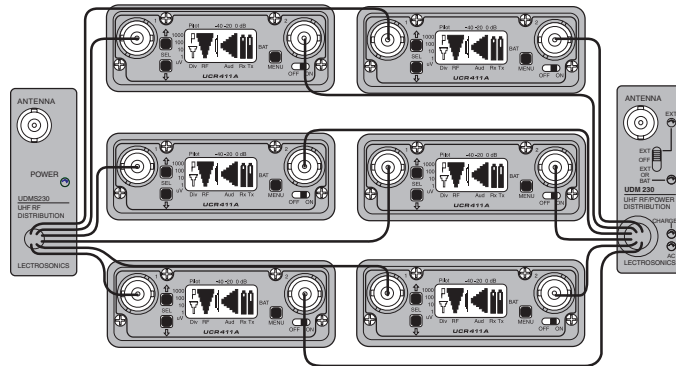
The UDM230 main module distributes RF and power to the attached receivers, and provides a power lead for the slave module.



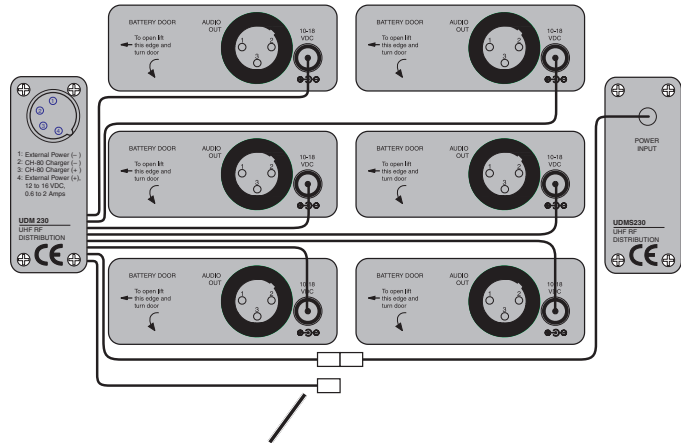
The UDMS230 is a slave module, powered by the main module, that distributes RF only to the attached receivers.



For diversity reception, the RF signals are connected to the receivers via front panel coaxial leads. The UDM230 main module feeds the ANT 1 inputs and the UDM230 slave unit feeds the ANT 2 inputs.



Power is distributed to the receivers and to the slave module by the UDM230 main module via connections on the rear panels.

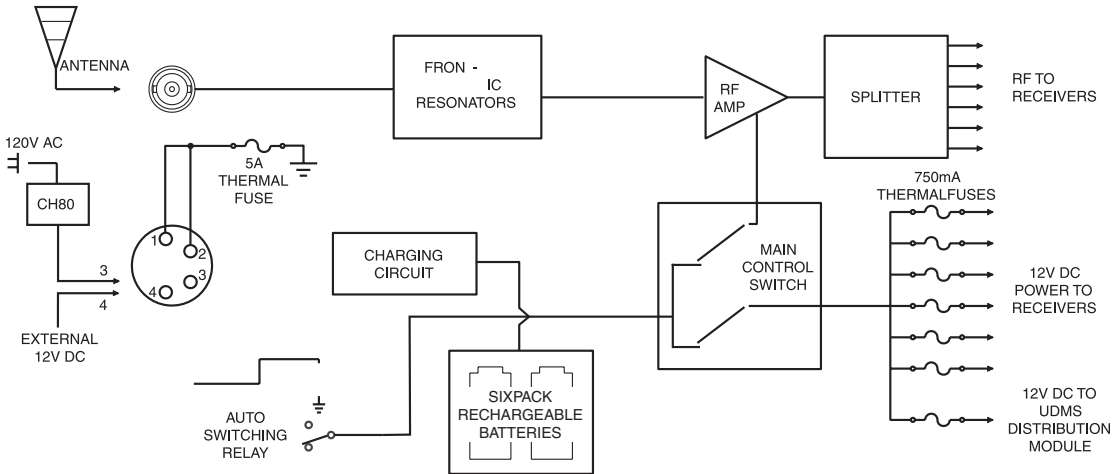


NOTE: the battery output lead (female connector) is **ONLY** for use with the battery pack built into the Lectrosonics SIXPACK multicoupler.

The modules can be used with the Sixpack multicoupler as depicted here, or as stand alone units for customized distribution systems. The power output leads are protected with auto-resetting polyfuses to prevent damage to the circuitry.

Block Diagrams

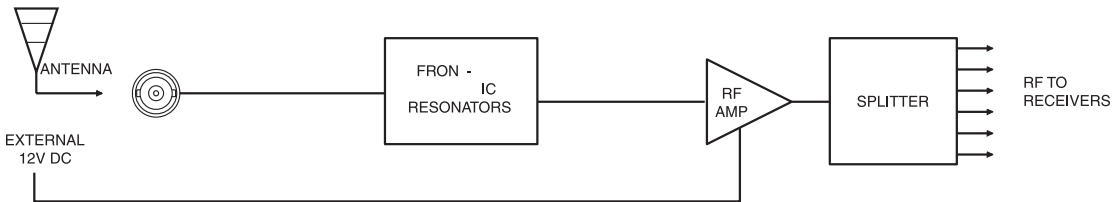
UDM230 Main Module



When used with the Sixpack multicoupler, additional power supply features are added. A relay automatically switches to take power from an external power source instead of the Sixpack battery pack when DC is present at Pin 4 of the XLR connector. This allows Sixpack battery pack to serve as a backup for the external DC power source.

When the CH80 charger is used, DC is connected to Pin 3 of the XLR connector, which powers the receivers and the main module, and charges the battery pack at the same time.

UDMS230 Slave Module



Specifications

Antenna input:	50 Ohm, BNC
RF Output:	Six outputs, 50 Ohm, BNC
RF Gain:	-1dB to +2 dB at each output
Filtering:	
Wideband:	Ceramic resonators; 537 to 768 MHz
Wideband Low:	Ceramic resonators; 470 to 692 MHz
Third Order Intercept:	+27 dBm
Power Input:	<ul style="list-style-type: none"> • 12 to 16 VDC; Pins 1 (gnd) and 4 (+) on XLR power jack • CH80 adapter for AC operation, 15V @ 2.7 A max. Pins 2 (gnd) and 3 (+) on XLR power jack
Power Consumption:	200 mA at 12.5 V (distribution modules only) Total current draw is dependent on the receiver types involved and can be as high as two amps total.

Specifications subject to change without notice.

LIMITED ONE YEAR WARRANTY

The equipment is warranted for one year from date of purchase against defects in materials or workmanship provided it was purchased from an authorized dealer. This warranty does not cover equipment which has been abused or damaged by careless handling or shipping. This warranty does not apply to used or demonstrator equipment.

Should any defect develop, Lectrosonics, Inc. will, at our option, repair or replace any defective parts without charge for either parts or labor. If Lectrosonics, Inc. cannot correct the defect in your equipment, it will be replaced at no charge with a similar new item. Lectrosonics, Inc. will pay for the cost of returning your equipment to you.

This warranty applies only to items returned to Lectrosonics, Inc. or an authorized dealer, shipping costs prepaid, within one year from the date of purchase.

This Limited Warranty is governed by the laws of the State of New Mexico. It states the entire liability of Lectrosonics Inc. and the entire remedy of the purchaser for any breach of warranty as outlined above. **NEITHER LECTROSONICS, INC. NOR ANYONE INVOLVED IN THE PRODUCTION OR DELIVERY OF THE EQUIPMENT SHALL BE LIABLE FOR ANY INDIRECT, SPECIAL, PUNITIVE, CONSEQUENTIAL, OR INCIDENTAL DAMAGES ARISING OUT OF THE USE OR INABILITY TO USE THIS EQUIPMENT EVEN IF LECTROSONICS, INC. HAS BEEN ADVISED OF THE POSSIBILITY OF SUCH DAMAGES. IN NO EVENT SHALL THE LIABILITY OF LECTROSONICS, INC. EXCEED THE PURCHASE PRICE OF ANY DEFECTIVE EQUIPMENT.**

This warranty gives you specific legal rights. You may have additional legal rights which vary from state to state.

