

---

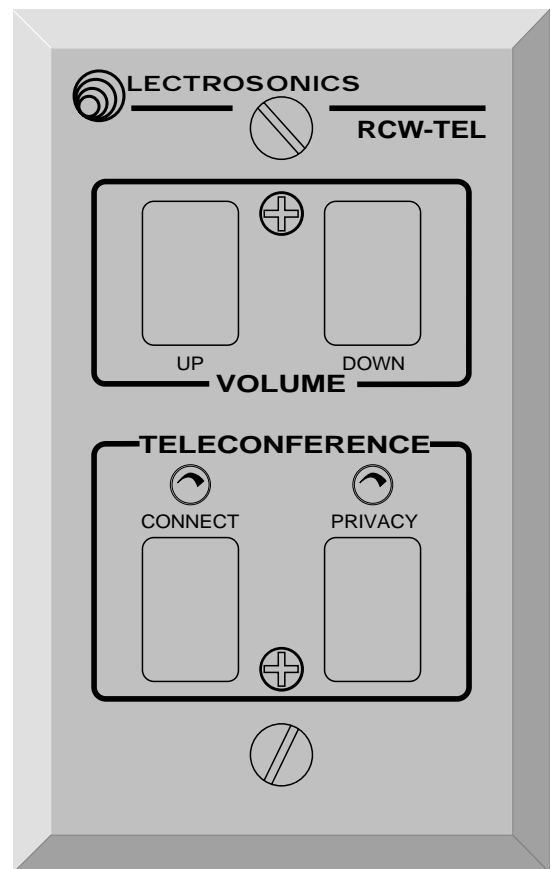
# RCW-TEL

## Wired Remote Controller for the Telephone Hybrid

### Feature Highlights

- Transparent operation with respect to the TH3, i.e. front panel controls are replicated on the RCW-TEL
- Connected directly to the *Remote Control Port* (DB-9) of the TH3
- Remote functions include connect/disconnect, privacy, and receive volume up/down
- LED indicators for the remote functions
- Works with telephone or codec interface, or use two RCW-TELS to control both

The RCW-TEL provides the main operating controls for the TH3 hybrid in a remote location. The circuit board is mounted to a single-gang wall plate. Soft touch switches and highly visible LEDs provide simple, intuitive operation and instant recognition of the status of the TH3.



# Operating Instructions

The RCW-TEL is connected to the TH3 via the telephone or codec DB-9 *Remote Control Ports*. The wiring configuration has the following format:

Pin 1 (CS) - Connect/Disconnect Switch function - connects or disconnects the interface.

Pin 2 (PS) - Privacy Switch function - mutes the transmitted audio, received audio, or both according to the selected privacy mode. (see TH3 manual for details)

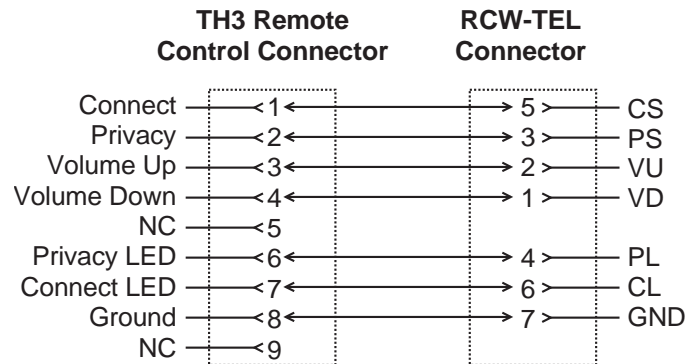
Pin 3 (VU) - Volume Up Switch function - increases the receive volume level by 1 dB until volume limit is reached.

Pin 4 (VD) - Volume Down Switch function - decreases the receive volume level by 1 dB until volume limit is reached.

Pin 5 (PL) - Privacy LED - indicates if the privacy function is currently active.

Pin 6 (CL) Connect/Disconnect LED - indicates if the interface is connected.

Pin 7 (GND) - Ground connection.



RCWTEL-0301



**LECTROSONICS®**

581 Laser Rd NE - Rio Rancho, NM - 87124 USA  
(800)821-1121 (505)892-4501 Fax(505)892-6243  
www.lectrosonics.com sales@lectrosonics.com