

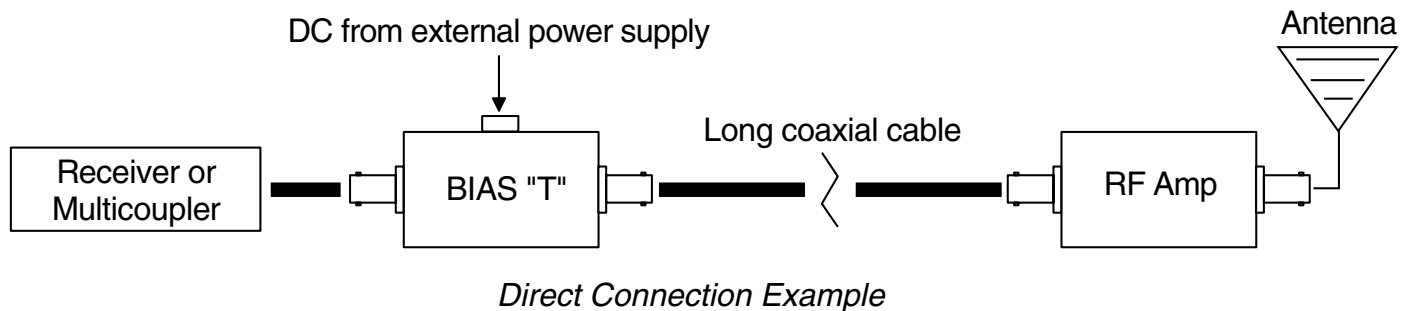
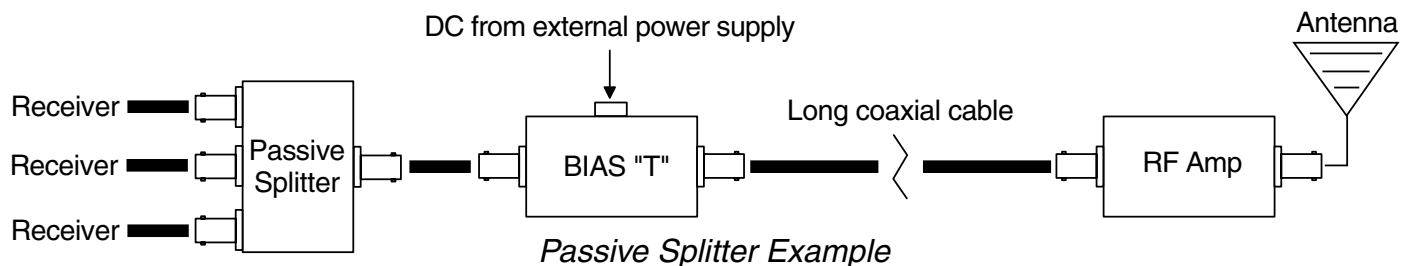


The BIAST (Bias-tee) is used to insert DC power into a coaxial cable to power a Lectrosonics remote antenna amplifier or filter/amplifier. It is positioned at the receiving end of the coaxial cable to pass DC power from an external source to the coaxial cable running to the antenna.

The BIAST consists of a feed inductor to deliver DC to the BNC connector on the antenna side and a blocking capacitor to keep DC from passing through to the receiver. The RF is connected directly from one BNC to the other with only the blocking cap in series. A locking power jack provides the connection to an external power supply such as the Lectrosonics external DC power supply; 9 to 16 VDC; 150 mA or greater capacity.

An internal blocking diode prevents damage to the BIAST if reverse voltage is applied. A self resetting polyfuse protects the unit from damage in the event of a short on the antenna side. Like other Lectrosonics products with a polyfuse, removing the power from the unit for a few seconds will reset the fuse.

Example Diagrams - Typical Applications



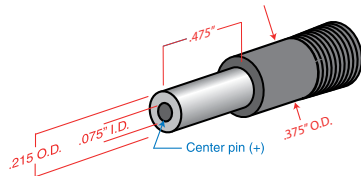
Specifications

Operating Frequency Range	<ul style="list-style-type: none">• 60 MHz to 950 MHz +/- 1 dB• 150 MHz to 850 MHz +/- 0.5 dB
Connections:	<ul style="list-style-type: none">• 2.1 mm locking micro for DC power jack• BNC for antenna and receiver
Power Requirements:	Lectrosonics external DC power supply; 9 to 16 VDC; 150 mA or greater capacity or 9-16 VDC, 150 mA, center pin positive
Safety Features:	<ul style="list-style-type: none">• Reverse polarity protection• Auto-resetting polyfuse protects against shorts on the antenna side
Dimensions:	3.7" x 1.6" x 1.2"
Weight:	3.4 ozs

Optional Power Cables

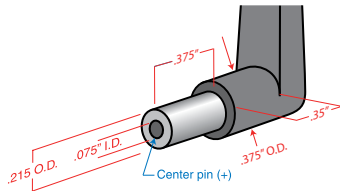
21425

6 ft. long power cord; coaxial to stripped & tinned leads.
Coaxial plug: ID-.080"; OD-.218"; Depth- .5".



21472

6 ft. long power cord; coaxial to stripped & tinned leads.
Right angle coaxial plug: ID-.075"; OD-.218"; Depth-.375"



21586

DC16A Pigtail power cable, LZR stripped & tinned.
Thread lock collar.

