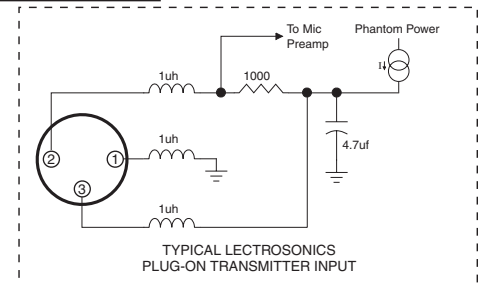
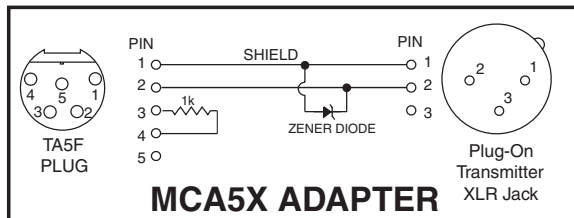
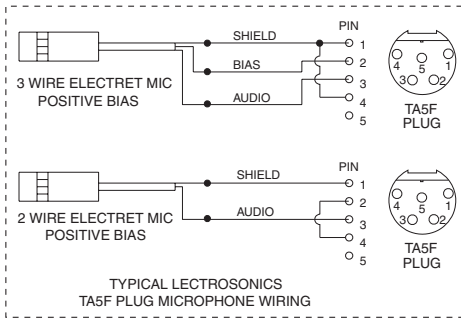


### Plug-On Transmitter Adapter



Note: The MCA5X ONLY works with Lectrosonics UH and HM transmitters. It DOES NOT work when connected to a microphone input on a mixer or a recorder.

- Adapts Lectrosonics headset and lavalier microphones equipped with 5-pin (TA5F) plugs to work with Lectrosonics plug-on UH and HM transmitters.
- Converts 4.5 Volt phantom power provided by plug-on transmitter to DC bias voltage needed by Lectrosonics electret microphones.
- Internal Zener Diode protects microphone from greater than 6 Volt phantom power on XLR jack.



The MCA5X adapts Lectrosonics headset or lavalier microphones equipped with a 5-pin plug to work with Lectrosonics plug-on transmitters, including Digital Hybrid (400 Series), 200 Series and 100 Series transmitters.

Made with a rugged nickel-plated steel housing, the MCA5X two inches long and .75 inches in diameter.