

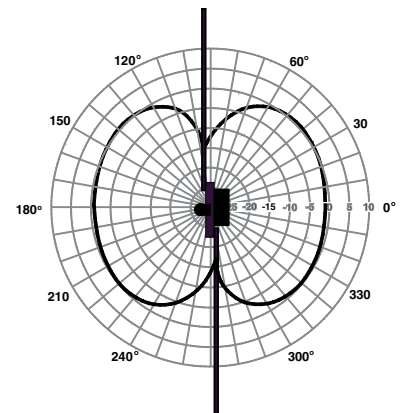
Adjustable Dipole Antenna



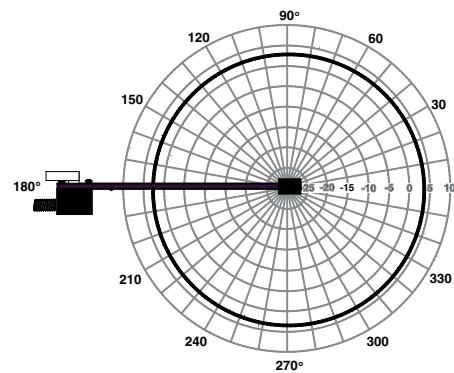
- SWR less than 2:1 over 100 MHz bandwidth
- Adjustable elements tune center frequency from 471 to 800 MHz
- 3/8" x 16 threaded socket and stud with mounting strap included
- Built in balun matched to 50 ohm BNC connector
- Folds for storage

The SNA600 antenna is a versatile tool for use with wireless microphone receivers or IFB transmitters. The center frequency of its 100 MHz bandwidth is tunable from 471 to 800 MHz. The frequency is set by adjusting the dipole elements using the scale printed on the body of the antenna. The elements fold for storage.

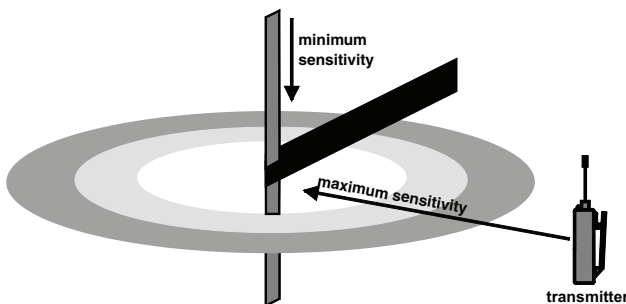
The body of the antenna is made of from fiberglass circuit board material. Nomenclature is printed in copper on the board with a black solder mask to provide excellent visual contrast. Copper traces on the circuit board form a balun for an ideal match to a 50 ohm line via a standard BNC connector.



Typical Vertical Pattern



Typical Horizontal Pattern



The coverage pattern of the antenna is circular, with maximum sensitivity perpendicular to the adjustable elements.



The SNA600 is supplied in a kit that includes a mounting strap and stainless steel mounting stud with hardware.

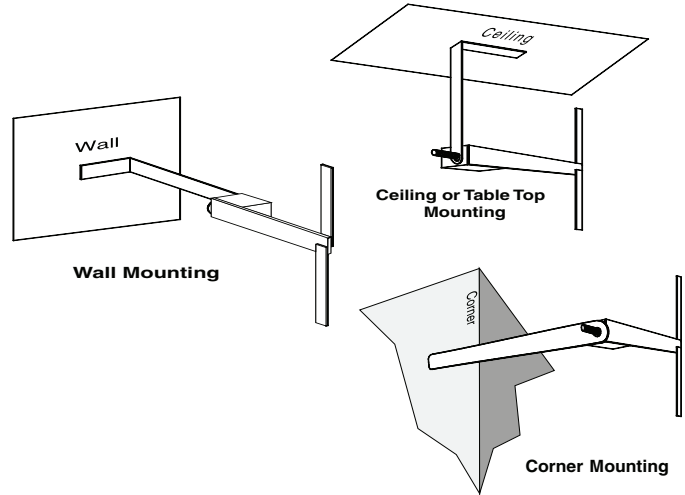
A sturdy mounting block is provided at end of the antenna body. The block can be rotated in 90 degree increments and is threaded for the supplied 3/8" x 16 mounting stud and a standard microphone stand.

The antenna can be mounted in a variety of positions with the furnished mounting strap as shown here. The threaded stud also adapts to the optional mounting adapter kit.

Mounting with the furnished strap:

Adjustable elements should be oriented vertically, away from reflective metallic surfaces.

Mounting bracket supplies should be bent only once or twice for semi-permanent installations. Bend bracket at the notches. Repeated bending will cause breakage.

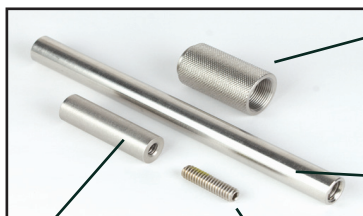


Note: The SNA600 is not intended to be mounted permanently outdoors. The antenna is weather resistant, however, not weatherproof.

Optional Mounting Adapter Kit

The ALPKIT includes four adapters for mounting the antenna on photo and video tripods, lighting equipment, and standard microphone stands. The parts are constructed of stainless steel for lasting durability.

Individual components in the kit can also be purchased separately. Part numbers are provided below.



P/N 26312-1
Threaded adapter for photo/video tripod mounting. 1/2" diameter x 1.75" long. 3/8"-16 thread on one end, 1/4"- 20 on the other.

P/N 26313-1
Microphone stand adapter. 5/8"-27 thread, with 3/8"-16 thread in other end. 1.5" long.

P/N 26311-1
Threaded adapter for standard lighting clamps. 1/2" diameter x 6 inch long 3/8"-16 thread on both ends.

P/N 28770
1/4" - 20 threaded adapter.

Specifications

Impedance:	50 ohms
Connector Type:	BNC
SWR:	Less than 2:1 at +/- 50 MHz
3dB Bandwidth:	150 MHz
Tuning Range:	470 to 800 MHz
Gain:	2.7dBi (isotropic) or 0 dBd (referenced to a dipole)
Length:	7"
Width:	1" folded , 7" to 11" extended depending on frequency
Thickness:	1"
Weight:	3.5 oz.

