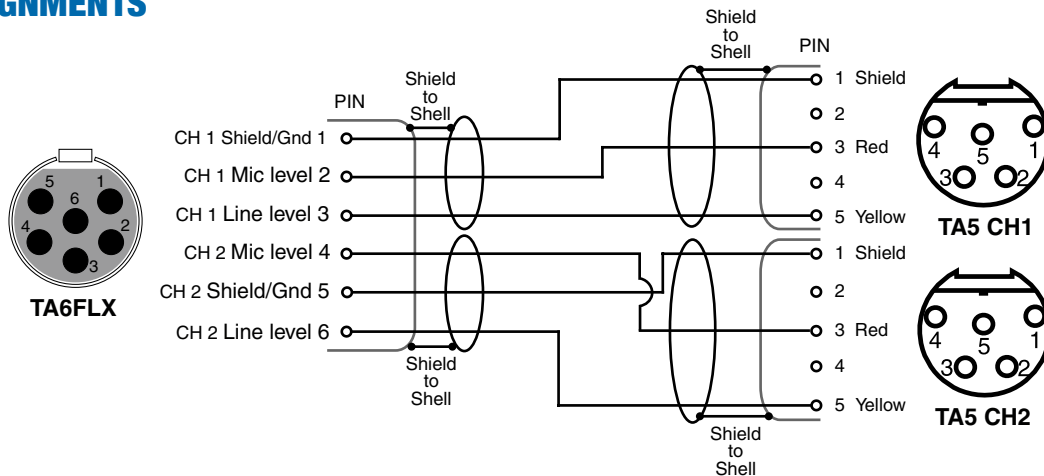


(2) TA5M To TA6FLX Mic/Line Level Adapter Cable



PIN ASSIGNMENTS



Mic or line audio interface cable intended to connect a Lectrosonics DCHT (Digital Camera Hop Transmitter) input from a mixer or receiver output configured for unbalanced mode.

Connectors: • 6-pin TA6F female
• (2) TA5M male

Cable: Shielded, 2.7 mm OD

Length: 7 inches

