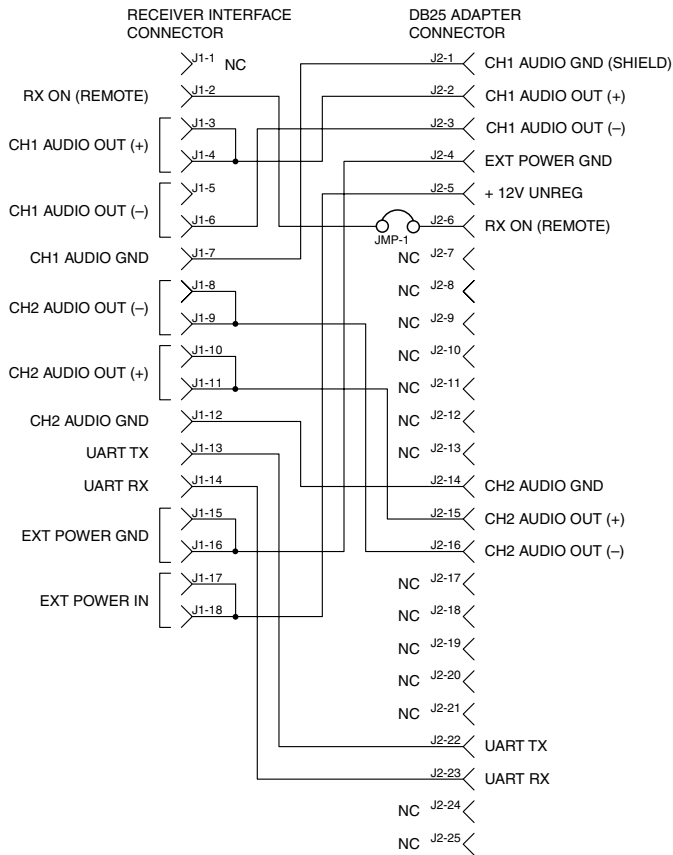


### Superslot/Unislot Adapter

#### SRDB25 - PINOUT



Power and audio connections are made through mating connectors on the adapter and receiver main circuit boards.

The SRDB25 adapter is compatible with SR Series Receivers including:

- Octopack
- Quadpack
- Duopack
- Cameras with Unislot connection
- Superslot compatible



Spare screws are supplied with the adapter.

The adapter is retained by two screws through the side panel of the housing, making it easy to install.

