

SRDB25AES

Superslot/Unislot Adapter

TECHNICAL DATA



- SRC analog ▶ AES audio into slot receptacle
- Add a DSR4 to your SL-2 SRC setup!

The SRDB25AES provides SRb/SRc users with a way to deliver AES digital audio into a slot receptacle, such as a Sound Devices SL-2 dock that is integrated with a mixer/recorder. Some users may also dock their receivers in an Octopack or Duopack and send AES digital audio into the next device in the chain – usually a mixer/recorder.

The DB25 connector, with SuperSlot compliant pin configuration, converts from analog to AES3 at 48 kHz from receivers with only analog outputs (SRb, SRC). The control lines for UART connections on pins 22 and 23 for modified SRb and all SRc receivers allows for data connection for docks and cameras with this feature. The unit will convert at 48 KHz and allow for re-sampling in the mixer/recorder if needed.

The SRDB25AES adapter is compatible with SR Series Receivers including:

- Octopack
- Quadpack
- Duopack
- Cameras w/ Unislot connection
- Superslot

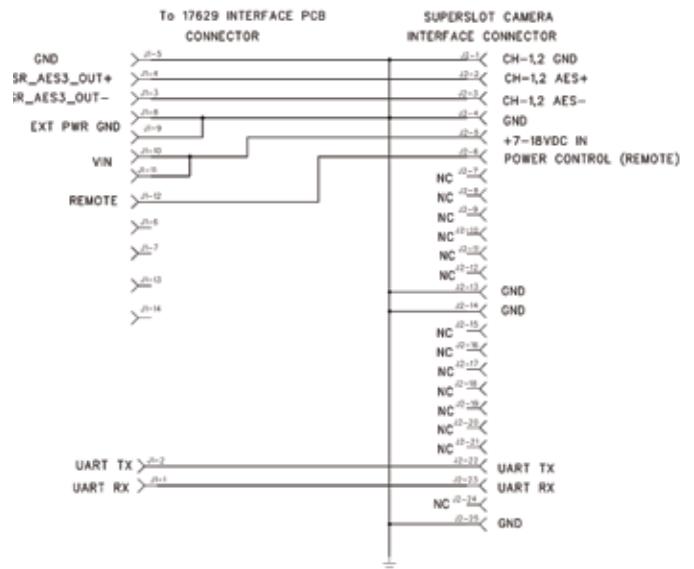
The adapter is retained by two screws through the side panel of the housing, making it easy to install. Extra screws are included on the side of the panel.

To use this adapter with an SRb/C receiver in any screw-mount dock like an Octopack or Quadpack, an appropriate mounting collar is required. See chart on reverse.



Power and audio connections are made through mating connectors on the adapter and receiver main circuit boards.

SRDB25AES - PINOUT



SRC ▸ SRDB25AES Adapter Mounting Guide

DOCK	MOUNTING ADAPTER	SCREWS REQUIRED	NOTES
A-10 Rack	27315-1	(2) 28967 (4) 28864	
SL-2	NONE	NONE	Like for DSR4, the SL-2 has a friction mount system.
Octopack	DSR4OCTOSPACER	INCLUDED	
Quadpack	DSR4OCTOSPACER	INCLUDED	
Unislot Camera	27315-1	(2) 28967 (4) 28864	Make sure camera can accept AES inputs in slot audio.

Note: When docking an SR Series receiver in a Sound Devices SL-2, 8-Series firmware v9.50 or higher is required. The SL-6 is not supported for this accessory.



581 Laser Road NE • Rio Rancho, NM 87124 USA • www.lectrosonics.com
(505) 892-4501 • (800) 821-1121 • fax (505) 892-6243 • sales@lectrosonics.com



11 December 2023