

DSR4 BATTSEDS & Adapters

TECHNICAL DATA

For DSR4 Series Receivers; Slot-In or Stand-Alone Use

All versions of the DSR4 receiver can be powered by rechargeable and dry cell batteries by using the battery sled and battery adapter. The units are constructed of machined aluminum to maintain the ruggedness and mechanical integrity of the DSR receiver.

The battery sled allows direct mounting of L and M type rechargeable video camera batteries for slot-in or stand-alone use. The adapter includes two balanced outputs with TA5M connectors and a locking power jack with an integral circuit that automatically selects the battery or external source.

The charger supplied with the battery must be used since the battery sleds do not include charging circuitry.



IMPORTANT WARNING

The DSR4 is a high current receiver that should not be used in a slot-mount camera without double checking available current from the camera. Many, if not most, slot mount cameras are designed for lower current receivers and are current limited/fuse protected. The DSR4 draws nearly 700mA at 7VDC. DO NOT drop it in the camera to "see what happens." Consult with your camera manufacturer FIRST before attempting to use this receiver in-slot.

The DSR4 is intended for use in slot devices which can supply enough current safely and without damage to fuses or poly-fused circuits.

Lectrosonics will not be responsible for damages that may result from using this receiver in a slot mount that cannot supply adequate current.



DSR4BATTSELEDTOP

A "battery sled" that positions the battery on top of the receiver for mounting on the top of the camera with the LCD and rear panel nomenclature oriented correctly.



DSR4BATTSELEDBOTTOM

A "battery sled" that positions the battery on the bottom of the receiver for mounting on the bottom of the camera with the LCD and rear panel nomenclature oriented correctly.

Do not use SR9VBP accessory with DSR4 receiver - it does not supply enough current for this receiver.

Aligning Specialty Adapters



Per customer suggestion, we have incorporated alignment marks into our DSR4 adapters and battery sleds. You can easily confirm that the units are aligned correctly by the “bowtie” shape of the engravings.

Removing Rear Panel Adapters

Remove the two phillips head screws (see arrows) that secure the panel to the sides of the receiver housing, then slide the connector panel straight out.



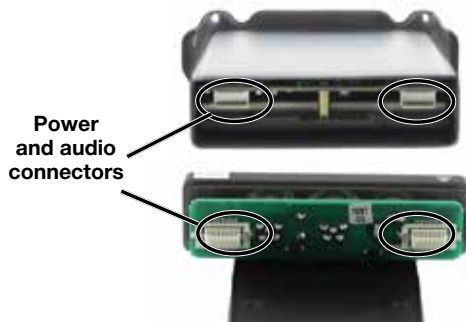
The two spare screws are stored in the panel side.



Removal is the same for all versions of the adapters.

Installing the DSR4BATTSLIED

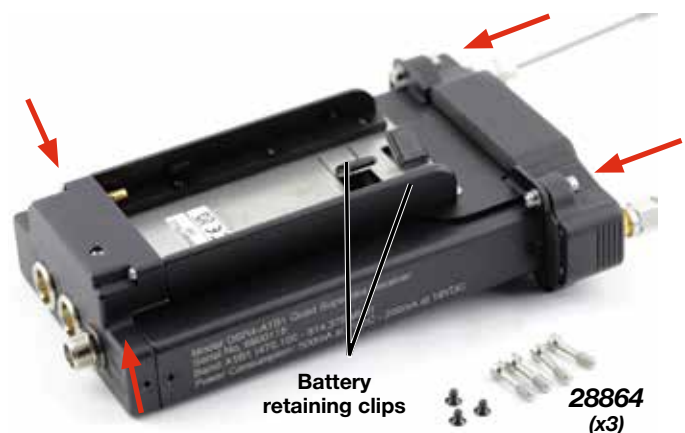
Orient the battery sled so that the power and audio connectors will mate when the sled is inserted and the engraved alignment markings line up as explained above.



Slide the battery sled adapter into the end of the DSR4 and gently seat it into place with the rear panel flush with the housing.

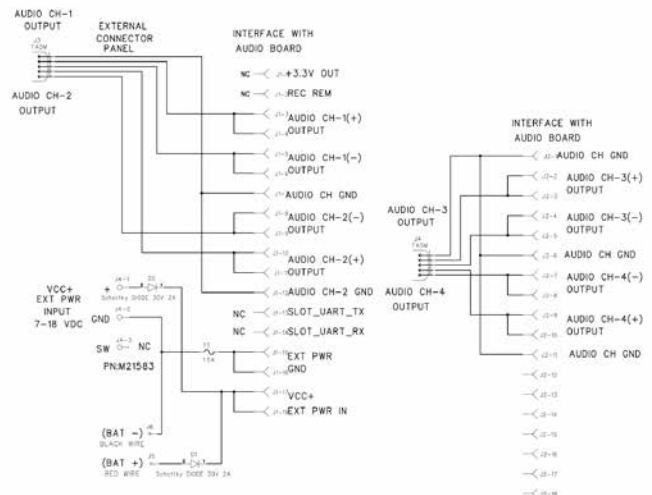


Install and tighten the two side panel and two top panel screws as shown below. Spare screws are included.



BATTSLIED Schematic

This scheme is identical for both the BATTSLIEDTOP and BATTSLIEDBOTTOM.



Audio Output Connectors

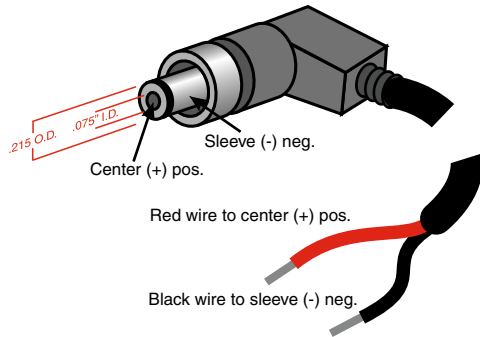
A standard TA5 female connector fits the output jacks on the DSR4BATTSLIED. Connectors are available in straight or right angle versions such as the one shown below.

The optional RATPAC connector is supplied in a kit that allows a variety of configurations to route the audio output cables through a comfortable and secure path.



DC Power Connector

21747 cable with right angle connector



SRSLEEVE On-camera Adapter

The optional SRSLEEVE adapter works with the battery sled to allow mounting the DSR4 receiver on any flat surface with the supplied Velcro patch.



The sleeve is supplied with a Velcro swatch for mounting on a flat surface

SRHARDWARE Kit

The SRHARDWARE kit allows mounting the sleeve onto the camera cold shoe.

The kit is complete with everything needed for a variety of mounting options



The hardware kit includes a right angle adapter to mount the sleeve to the shoe of the camera in a horizontal or vertical orientation. A locking pin prevents rotation.



SRSLEEVE hardware kit with sleeve allows horizontal or vertical mounting



Pictured is an example of top mounting using the SRSLEEVE, SRHARDWARE kit and custom built cables with RATPAC right angle connectors. The SMA right angle antenna adapters shown in the photo are part number 21793.



The camera shown is a Panasonic® AG-HMC150.

Panasonic is a registered trademark of
Matsushita Electric Industrial Co., Ltd.



581 Laser Road NE • Rio Rancho, NM 87124 USA • www.lectrosonics.com
(505) 892-4501 • (800) 821-1121 • fax (505) 892-6243 • sales@lectrosonics.com



21 July 2023