



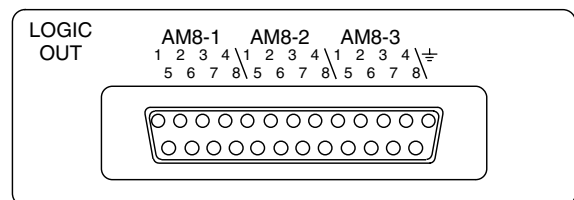
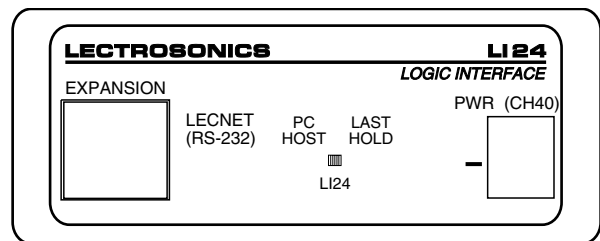
- Generates logic output signals from up to three AM8 automatic mixers
- Automatic search for the AM8 addresses on the LecNet™ network
- DB-25 connector with open collector outputs corresponding to the AM8 microphone channels
- Switchable Last Hold function affects only LI24 logic outputs. AM8 mixing activity remains unchanged.
- Switchable control of the LecNet™ network between a PC and the LI24
- Expansion port that plugs conveniently into the AM8 *Expansion In* port

#### Logic Out for the AM8 Automatic Mixer

The primary purpose of the LI24 is to provide Logic Out signals from up to three Lectrosonics' AM8 Automatic Mixers. The logic signals can be used to trigger video switchers or indicator lamps.

Upon power-up, the LI24 automatically searches for AM8s on the LecNet™ network and displays their channel status. The Logic Out signals from up to 24 microphone channels are provided via a DB-25 connector with open collector outputs.

The LI24 has a built in Last Hold function which holds the Logic Out signal from the last open channel until another channel is activated. This function affects only the LI24 logic outputs, while the AM8 microphone channel status remains unchanged.



# Operating Instructions

The LI24 is connected to the AM8 via the Expansion port. The LI24's *EXPANSION* port is connected to the AM8's *EXPANSION IN* port. Since *PC HOST* and *LI24* are mutually exclusive states of the 3-position switch, if any adjustments to the LecNet devices are desired, the PC host **must be connected to the LecNet™ connector on the LI24**, with the front panel switch in the *PC HOST* position. Note that if multiple AM8s are used in the LecNet network, they should be assigned unique LecNet addresses (using the supplied LecNet Master Pro software) since that is the only way that the LI24 can recognize them.

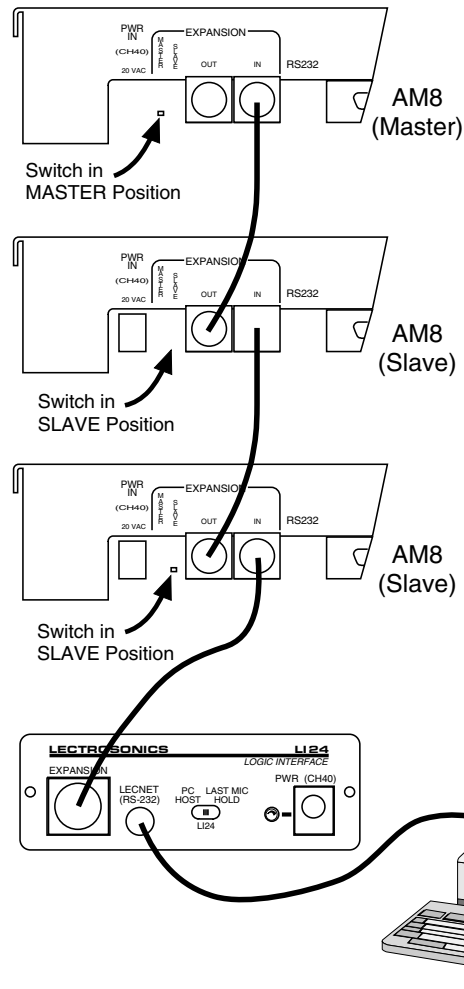
When setup of the LecNet devices is completed, the front panel switch is moved to the *LI24* position. The power LED will blink a few times and go blank, which is a sign that the LI24 is searching for the AM8s on the LecNet™ network. Do not be alarmed if the power LED goes blank, since the LI24 will take a maximum of 5 seconds to find up to three AM8s. The actual searching time will depend on the number of the AM8s on the LecNet™ network, and on the LecNet™ addresses used. When the LI24 finds all the AM8s on the LecNet™ network, the power LED will blink a few times and then will stay lit. This indicates that the LI24 is ready to exchange data with up to three AM8s found on the network. If the LI24 finds more than three AM8s on the network, it will communicate with three AM8s that hold the smallest LecNet™ addresses, and it will ignore consequent AM8s. For example, if 5 AM8s are daisy chained together with the LecNet™ addresses 130, 150, 200, 201, and 128 respectively, the LI24 will communicate with the AM8s holding LecNet™ address 128, 130, 150, and it will ignore AM8s with LecNet™ addresses 200 and 201.

The factory default LecNet address for the LI24 is 137.

The LI24 provides the channel status from up to three AM8s via a DB-25 connector in the following format:

|            |   |                       |
|------------|---|-----------------------|
| Pins 1-4   | — | Channel 1-4 on AM8-1  |
| Pins 5-8   | — | Channel 1-4 on AM8-2  |
| Pins 9-12  | — | Channel 1-4 on AM8-3  |
| Pin 13     | — | Ground                |
| Pins 14-17 | — | Channel 5-8 on AM8-1  |
| Pins 18-21 | — | Channel 5-8 on AM8-2  |
| Pins 22-25 | — | Channel 5-8 on AM8-3. |

If necessary, multiple pins can be hard-wired together so that any number of AM8 channels generate the same logic signal.



## Specifications

|                            |   |
|----------------------------|---|
| <b>Connectors:</b>         | <ul style="list-style-type: none"> <li>• Expansion port: 8-pin mini DIN</li> <li>• Output: DB-25 connector</li> </ul> |
| <b>Output:</b>             | Open collector, sinking to ground when AM8 channel is ON (10mA max.)  |
| <b>Power Requirements:</b> | 60mA at 20VAC   |
| <b>Power Consumption:</b>  | 1.2 Watts max. at 20VAC   |
| <b>Weight:</b>             | 0.5 lbs.  |
| <b>Dimensions:</b>         | 3.25" wide, 1.25" high, 4.50" deep  |

LI24-0799



**LECTROSONICS®**

581 Laser Rd NE - Rio Rancho, NM - 87124 USA  
 (800)821-1121 (505)892-4501 Fax(505)892-6243  
[www.lectrosonics.com](http://www.lectrosonics.com) [sales@lectrosonics.com](mailto:sales@lectrosonics.com)