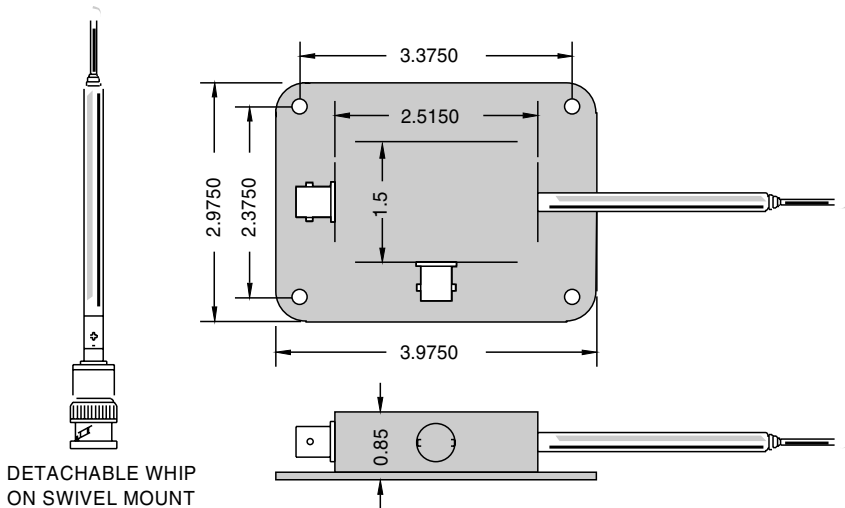




LECTROSONICS, INC.

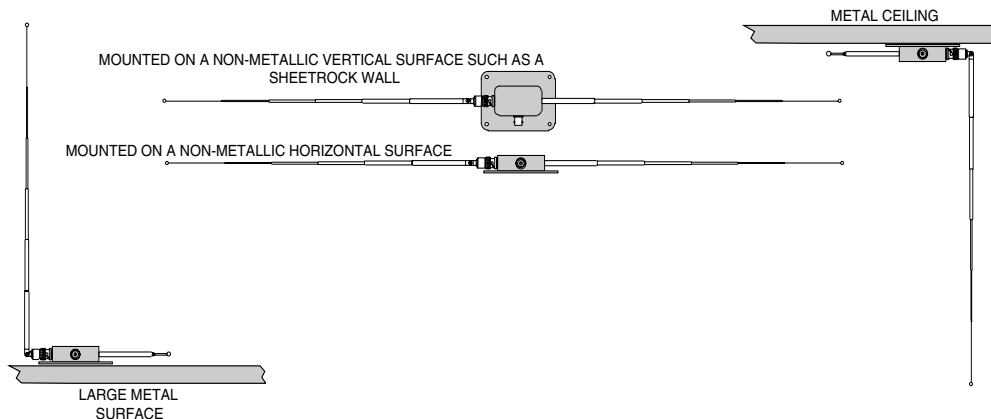
Wireless Microphone Accessories

A-200 Dipole Antenna



The optional A-200 Dipole Antenna may be mounted anywhere, on virtually any surface. In an open area it functions as a dipole with a low profile. Against a large reflective surface, such as a metal partition, it can be set up with a $\frac{1}{4}$ wave whip extending away from the metal surface, using the surface as the ground plane. The antenna cable is connected with positive locking BNC connectors.

The alodined finish on the aluminum mounting plate and body provides an attractive finish that guards against corrosion. Since the finish is conductive, it also assures good contact when the antenna is mounted on a metal surface.



Versatile Mounting Options

The telescoping, swivel-mounted whip may be connected to either of the two BNC connectors on the antenna base. The "L" type configuration shown to the left is best for direct mounting on metal surfaces where the base of the antenna combines with the metal surface forming a "ground plane". In this setup, the attached telescoping whip does not need to be extended. The dipole configuration shown in the center is best for use in "free space" where the antenna is not in direct contact with a metal surface.



LECTROSONICS, INC.

581 Laser Rd. NE ■ Rio Rancho, NM ■ 87124
(505)892-4501 ■ (800)821-1121 ■ FAX(505)892-6243
Web: <http://www.lectrosonics.com> Email: sales@lectrosonics.com

A200-0996