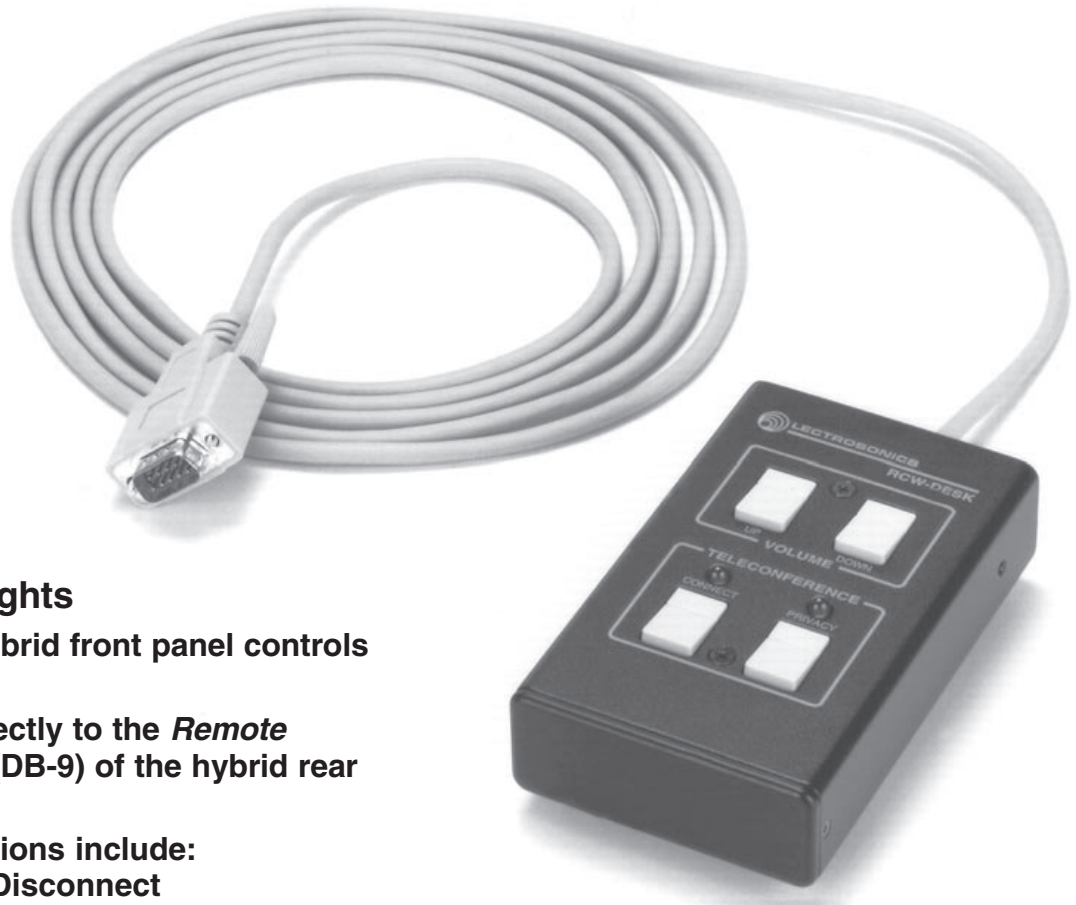


RCW-DESK

TECHNICAL DATA

Wired Remote Control for Lectro Telephone Hybrids



Feature Highlights

- Brings the hybrid front panel controls to a table top
- Connects directly to the *Remote Control Port* (DB-9) of the hybrid rear panel
- Remote functions include:
 - Connect/Disconnect
 - Privacy
 - Receive Volume Up
 - Receive Volume Down
- LED indicators display status and volume adjustment activity
- Soft-touch switches
- Durable laser engraved nomenclature
- Machined aluminum housing

The RCW-DESK provides the main operating controls for the hybrid in a remote location. Soft touch switches and highly visible LEDs provide simple, intuitive operation and instant recognition of the status of the hybrid. Volume UP and DOWN controls offer single touch increments and “press and hold” operation. The CONNECT LED blinks during volume control activity to verify operation.

The RCW-DESK is connected to the hybrid via the DB-9 *Remote Control Port*. The wiring configuration has the following format:

Pin 1 (CS) - Connect/Disconnect Switch function - connects or disconnects the telephone hybrid to/from the phone line.

Pin 2 (PS) - Privacy Switch function - mutes the transmitted audio to allow private conversation.

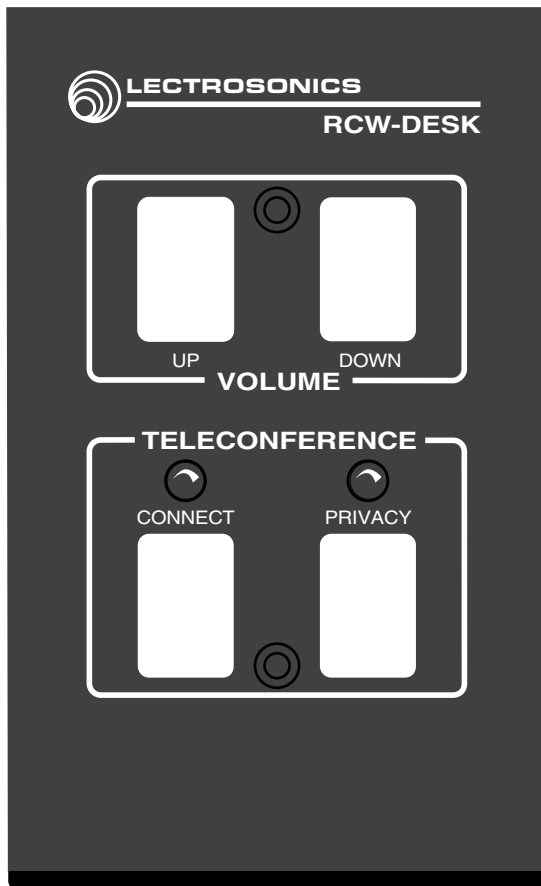
Pin 3 (VU) - Volume Up Switch function - increases the receive volume level by 1 dB until volume limits are reached (the range of adjustment is set by the Volume Limit dip switch settings).

Pin 4 (VD) - Volume Down Switch function - decreases the receive volume level by 1 dB until volume limits are reached (the range of adjustment is set by the Volume Limit dip switch settings).

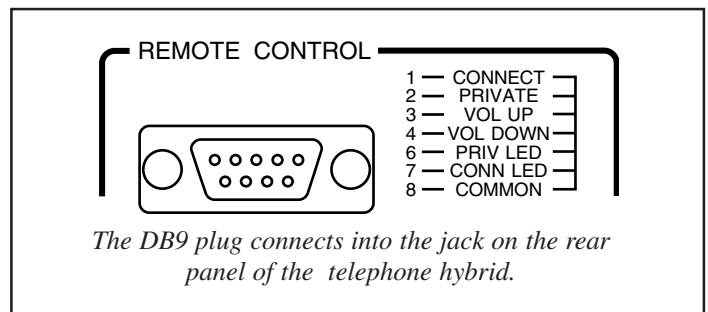
Pin 6 (PL) - Privacy LED - indicates if the privacy function is currently active.

Pin 7 (CL) - Connect/Disconnect LED - indicates if the telephone hybrid is connected (steady ON), disconnected (steady OFF), is in the process of being connected (series of blinks), or if one of the volume switches is being pushed (one blink).

Pin 8 (GND) - Ground connection.



Actual Size



- | | |
|--------------------------|--|
| Controls: | Soft-touch switches |
| Functions: | <ul style="list-style-type: none"> • Connect/disconnect • Privacy on/off • Volume Up • Volume Down |
| Connecting cable: | 9 ft. long with molded DB-9 plug |
| Dimensions: | 2.8 x 4.6 x 1.3 inches including rubber feet |
| Construction: | Machined aluminum housing |
| Finish: | Electrostatic powder coating and anodize. Nomenclature is laser engraved for durability. |

