

NS1

Portable Noise Generator

TECHNICAL DATA

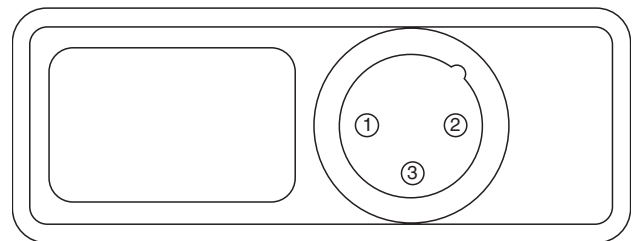
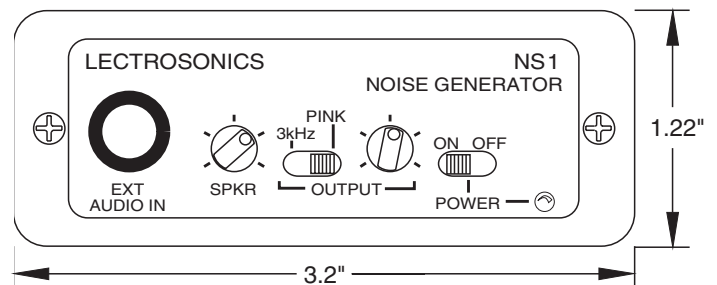
DISCONTINUED



- Internal speaker with level control
- Wideband pink noise
- 3kHz filtered pink noise
- Balanced XLR output
- 1/4" phone jack input
- Powered by two 9V batteries

The Lectrosonics NS1 Portable Noise Generator is a multifunction instrument designed primarily to facilitate fast, accurate setup of the Lectrosonics Modular Automatic Mixing system. By providing a consistent noise source, the input trim (gain) on each mic preamp channel can be accurately adjusted to compensate for the variation in sensitivity that occurs in some microphone designs.

The built in speaker provides an acoustic noise source for individual channel adjustment or to monitor external signals connected to the 1/4" jack. Wideband pink noise or 3kHz 1/3 octave filtered pink noise is available at the balanced XLR line output for room equalization and checking high frequency driver coverage in multi-way speaker systems. The housing and mechanical parts are made of machined aluminum for lasting ruggedness in the field



Operating Instructions

The NS1 provides a number of features to allow quick and easy setup of microphones and sound systems.

NOISE BANDWIDTH

The bandwidth of the noise can be selected from the front panel via the 3kHz/PINK slide switch.

Pink: In this position, the NS1 will output wideband pink noise for general purpose testing and level setting.

3 kHz: This position of the switch will output a pink noise signal which is bandpass filtered by a 1/3 octave filter centered around 3 kHz.

OUTPUT XLR

The selected noise source (Wideband Pink or 3 kHz Pink) is available on the rear panel XLR jack in fully balanced form.

- PIN 1** is Ground
- PIN 2** is Signal Hi
- PIN 3** is Signal Lo

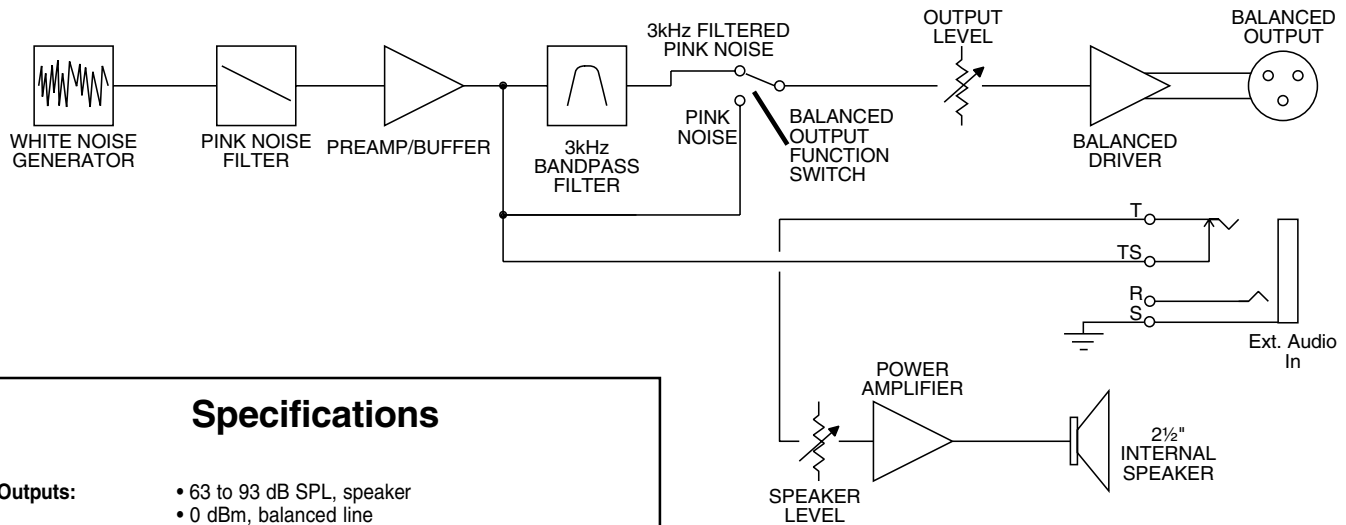
The level of this signal is controlled by the front panel OUTPUT knob. This control has no effect on the speaker output. The maximum level available at the rear panel XLR jack is 0dBm.

EXTERNAL AUDIO MONITOR

The EXT. AUDIO IN jack on the front panel offers a convenient point to connect an external signal to be monitored through the built-in speaker. The SPKR control will control the level of this signal

- TIP** is signal Hi,
- RING** is not used.
- SLEEVE** is Ground,

This is a switching type of jack. With nothing plugged in, the internal noise source is routed to the speaker. When an external signal source is plugged in, it is routed to the internal speaker and the NS1's noise source is disconnected from the speaker. However, the NS1 generated noise is still available at the rear panel XLR.



Specifications

- | | |
|------------------------------|--|
| Outputs: | <ul style="list-style-type: none"> • 63 to 93 dB SPL, speaker • 0 dBm, balanced line |
| Battery Life: | <ul style="list-style-type: none"> • 35 to 40 hours, line output only • 3 hours w/speaker at full volume |
| Power Supply: | 2 ea 9V alkaline batteries |
| External Input Level: | -10 dBu to +4 dBu;
20 dB gain from 1/4" input to speaker |

NS1-0799



LECTROSONICS®

581 Laser Rd NE - Rio Rancho, NM - 87124 USA
 (800)821-1121 (505)892-4501 Fax(505)892-6243
www.lectrosonics.com sales@lectrosonics.com